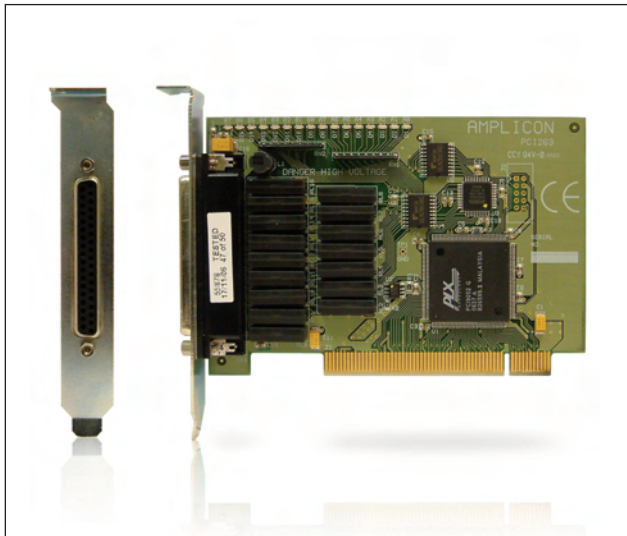


AMPLICON PCI263



Features

- 32-bit 5V PCI bus compatible
- 16 Normally Open form A relays
- Rated for 75Vdc or 1A
- All contact pairs isolated
- Onboard LED display of relay status
- Relay register read-back
- Windows 95, 98, NT, 2000, XP, 2003, Vista and Linux support
- Drivers for C/C++, C#, VB/VB.NET, Delphi, VEE and LabVIEW

Description

General

The PCI263 is a plug-in board that provides 16 isolated reed relay outputs. It can be used in any PC that supports PCI bus version 2.1 or later. It is ideal for applications such as alarm activation and energy management.

Architecture

The PCI263 has 16 independently controlled single pole, single throw, dry reed relays. Each relay has an associated LED to indicate its output status and its contact is rated at 15W. Relays are controlled by writing 8-bit words into one or two registers. The computer can read back the status of each relay from the same registers.

Each relay has a life expectancy of over 50 million operations when

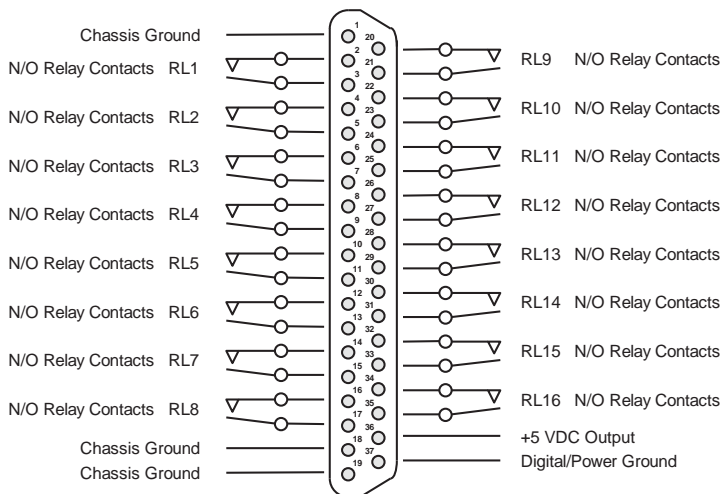
used in low load applications, but this will reduce as the switching load is increased.

The PCI263 is powered by the +5V supply from the host PC. The +5V supply and chassis ground are available for external use via the I/O connector. Consideration should be taken if using these power connections to ensure that it does not negate the isolation provided by the relays.

Software support

The PCI263 may be used in 32-bit Windows or Linux operating environments. Drivers are available for all popular high-level programming languages. The Amplicon programming library AMPDIO32, provides example programs with source code which can be modified as required.

PCI263 37-way connector



Sales: +44 (0) 1273 570 220 Admin: +44 (0) 1273 608 331 Fax: +44 (0) 1273 570 215 Website: www.amplicon.com Email: sales@amplicon.com

AMPLICON PCI263

Specifications

Digital Output		General	
Output relays	16 independently controlled by two 8-bit registers	Connector	37-way female D-sub
Output modes	Program mode	PC interface	PCI bus version 2.1, 5V
Relay contacts	Dry reed Form A (SPST - normally open)	Dimensions	134 x 90mm (Length x Height)
Contact ratings	Power (switching) 15W Voltage (switching) 75Vdc Current (switching) 1.0A Current (carrying) 1.25A	Operating temp.	0 to 60°C
Contact resistance	400mohm (initial)	Storage temp.	-20 to 70°C
Switching time	0.7ms typical	Humidity	5 to 95% RH, non-condensing
Relay life expectancy	1000 x 10 ⁶ operations at +5Vdc, 10mA	Power consumption	+5V @ 500mA
Isolation	Between contacts: 250Vdc Between contact and PC ground: 300Vdc	MTBF	124 khours
		Compliance	CE, EMC EN55022, EN55024

Accessories and Ordering information

96003843 PCI263 reed relay 16 channel

90956109 ACL-10137 1m screened cable, 37 way male to male

90891950 Screw terminal adapter with female 37 way connector, DIN rail mounting

