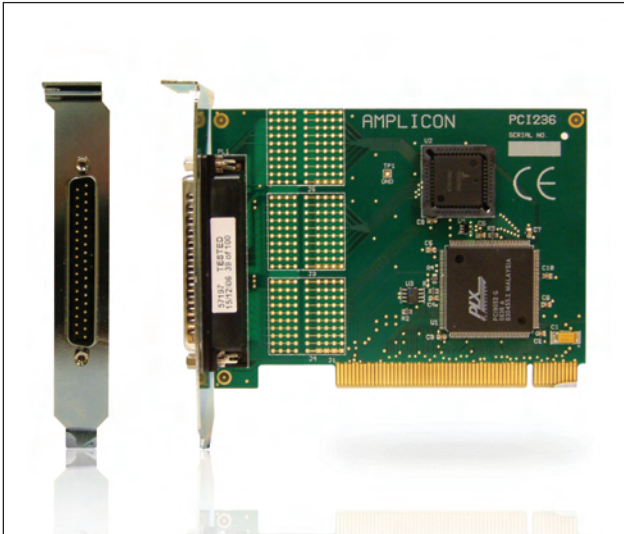


## AMPLICON PCI236



### Features

- 24 lines of programmable digital I/O
- 32-bit 5V PCI bus compatible
- Patch area for custom signal conditioning
- 37-way D connector
- Windows 95, 98, NT, 2000, XP, 2003, Vista and Linux support
- Drivers for C/C++, C#, VB/VB.NET, Delphi, Agilent VEE and LabVIEW

### Description

#### General

The PCI236 is a digital I/O board which uses one 82C55 to provide 24 TTL compatible digital input/output lines. The board is suitable for use in any PC that supports PCI bus version 2.1.

#### Architecture

The 24 digital I/O lines are arranged in three 8-bit ports (A, B and C). Ports A and B can be configured for input or outputs. Port C provides two 4-bit ports, each of which can be input or output. This allows great flexibility in the mixture of inputs and outputs provided by each PCI236.

Interrupt controlled operation is possible with the facility for interrupts to be generated from one external source (C3).

The PCI 236 is powered by the 5V supply from the host PC. This supply voltage is available for external use via the I/O connector, along with +12V and -12V.

#### I/O Signal conditioning

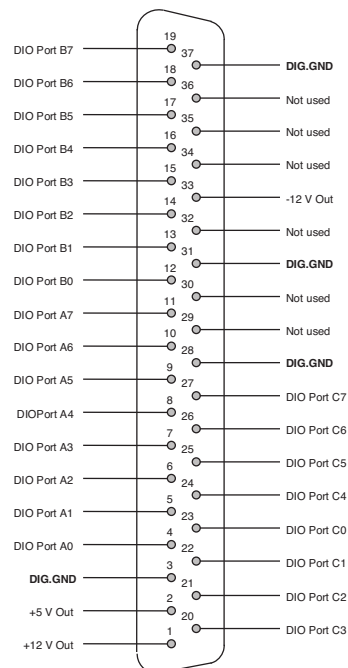
Provision has been made for the addition of signal conditioning modules for input and output signals. This is by way of holes for a 20 pin DIL header of between 0.3 and 0.9 inch pitch. Under normal conditions the I/O signals pass straight through the header.

Individual I/O signal paths may be broken across the header, to allow series elements to be inserted in the I/O port signal path. Tracks are easily broken by using clearly identified drill points for each I/O port. Typical signal conditioning modules which could be incorporated onto the board are high current output, resistor capacitor (RC) filtered input, Schmitt trigger input, opto-isolated input or opto-isolated output.

#### Software support

The PCI236 may be used in 32-bit Windows or Linux operating environments. Drivers are available for all popular high-level programming languages. The Amplicon programming library AMPDIO32 provides example programs with source code which can be modified as required.

#### PCI236 37-way connector



Sales: +44 (0) 1273 570 220 Admin: +44 (0) 1273 608 331 Fax: +44 (0) 1273 570 215 Website: [www.amplicon.com](http://www.amplicon.com) Email: [sales@amplicon.com](mailto:sales@amplicon.com)

## AMPLICON PCI236

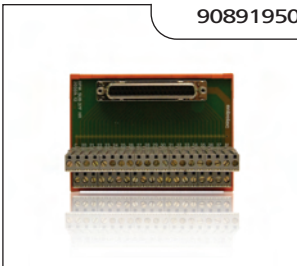
### Specifications

Digital input/output		GENERAL	
<b>Digital I/O</b>	One 82C55 chip with 24 TTL compatible lines	<b>Connector</b>	37-way male D-sub
<b>Digital inputs</b>	Low: -0.3V to +0.8V High: +2.2V to +5.3V	<b>PC interface</b>	PCI bus version 2.1, 5V
<b>Digital outputs</b>	Low: +0.4V at +2.5mA High: +3.7V at -2.5mA	<b>Dimension</b>	125 x 102mm (length x height)
<b>Interrupt source</b>	One interrupt source available from C3	<b>Operating temp.</b>	0 to +60°C
<b>Signal conditioning modules</b>	High current output RC input filter Schmitt trigger input Opto-isolated input Opto-isolated output	<b>Storage temp.</b>	-20 to +70°C
		<b>Humidity</b>	5 to 95% RH, non-condensing
		<b>Power requirements</b>	5Vdc @ 160mA fully loaded
		<b>MTBF</b>	2500 khours
		<b>Compliance</b>	CE, EMC EN55022, EN55024

### Accessories and Ordering information

- 90993663** PCI236 Digital I/O board, PCI
- 90891950** Screw terminal adapter with female 37 way connector, DIN rail mounting
- 91014890** ACL-10137-1 MF Screened cable, 37-way male D to female D
- 90966373** EX230 input panel with 24 isolated common & contact closure inputs
- 90966363** EX213 output panel with 24 relays/isolated logic

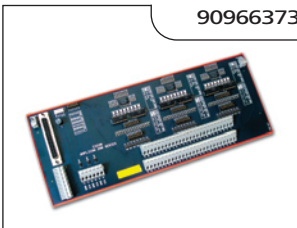
90891950



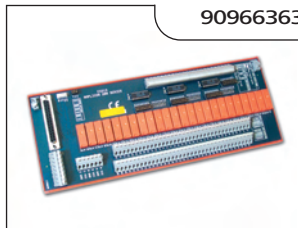
91014890



90966373



90966363



90993663

