

# Impact-E 200



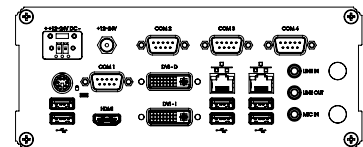
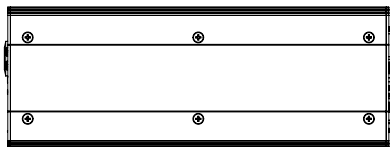
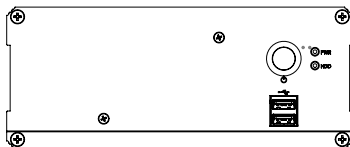
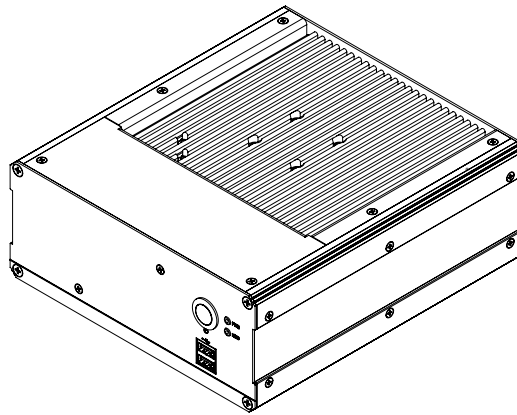
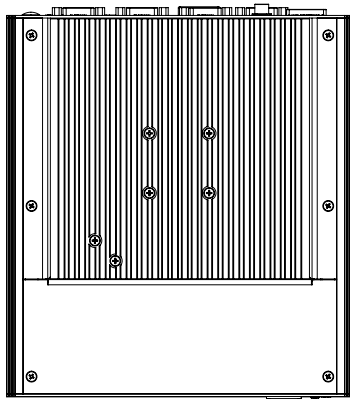
## Features

The Impact-E 200 is a compact, low power embedded system, utilising Intel® 3<sup>rd</sup> Generation mobile iCore processing technology. This achieves high processing power with minimal power draw. The Impact-E 200 is assembled and tested within a lean manufacturing environment under ISO 9001.

Key features:-

- Low power consumption
- High end processing power
- iAMT 8.0 support
- Compact design
- 3 year warranty

## Dimensions



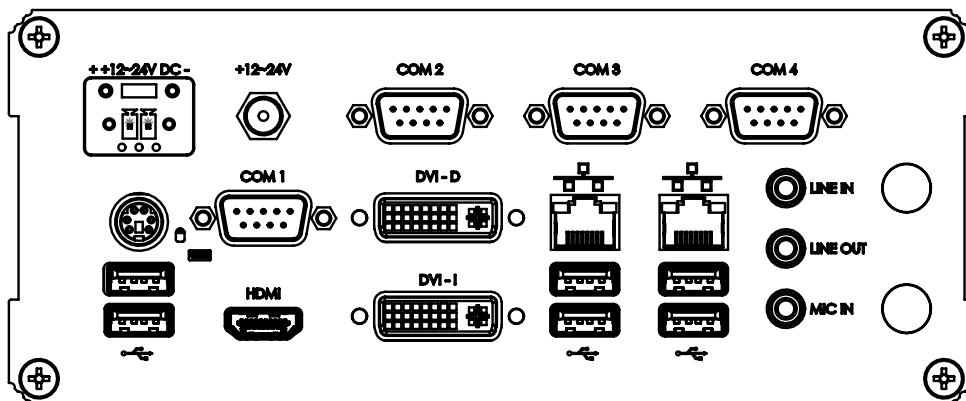
## Impact-E 200

The information is believed to be accurate. However Amplicon Liveline Limited accepts no responsibility for any problems caused by errors and omissions. Specifications are subject to change without notice.

### Specifications

Hardware specifications	CPU: Intel iCore i5-3610ME Main memory: 2GB SODIMM DDR3 1333MHz (max: 16GB 1600MHz) Chipset: Intel QM77 PCH LAN: Dual integrated 10/100/1000 network connection	Mechanical	Design: Rugged compact embedded design Cooling: Fanless design Construction: Extruded Aluminium Colour: Black Dimension: 200 x 88 x 220mm (W x H x D) Packaging: 355 x 260 x 335mm (W x H x D) Gross weight: 2.8kg
BIOS	AMI BIOS	Mounting options	Desk mount Wall mount (kit supplied as standard)
Storage	1 x 2.5" Solid state drive or 1 x 2.5" SATA hard drive Total drive capacity:- 2 x 2.5" SATA SSD/HDD Support for RAID 0 and 1	Environmental operation	Acoustic noise: Near silent operation Operating Temperature: 0°C to 55°C Humidity: 0 to 90% non-condensing
System expansion	1 x PCIe x16 (not currently available) 1 x mPCIe half length (PCIe and USB signal) 1 x Additional 2.5" HDD/SSD	Environmental storage	Temperature: -20°C to 70°C Humidity : 5% to 90% @ 20°C
System architecture	Mini ITX form factor motherboard	Electromagnetic compatibility (EMC)	EN 55022 Class A EN 55024 Electrostatic discharge immunity test (EN61000-4-2) Enclosure port ±4kV Contact, applied to enclosure port ±8kV Air, applied to enclosure port  Radiated, radio-frequency, electromagnetic field immunity test (EN61000-4-3)  Enclosure port 80-1000MHz, 10 V/m (RMS, no modulation) 80% Modulation with 1kHz Sine wave  Electrical fast transient/burst immunity test (EN61000-4-4) Power port AC, inc. protective earth Severity ±0.5kV  Immunity to conducted disturbances induced by radio frequency fields (EN61000-4-6)  Power port AC, inc. protective earth via CDN M3 0.15-80MHz, 10 V/m (no modulation) 80% Modulation with 1kHz Sine wave, applied via CDN  Amplicon own a fully equipped EMC facility and can provide many additional tests to meet your requirements.
Supported O/S	Windows XP, Windows 7, Windows 8 (32 bit/64 bit)		
General Interfaces	4 x USB 3.0 ports, 4 x USB 2.0 2 x RJ45 LAN 1 x DVI-I, 1 x DVI-D, 1 x HDMI (1920 x 1200) 1 x PS/2 (keyboard and Mouse) 4 x DB9 COM ports (2 x RS232/422/485, 2 x RS232) 1 x Line-In/Surround, 1 x Line Out, 1 x MIC In/Center + Subwoofer		
Display	Max resolution: 1920 x 1200 (per port)		
LED and switches	Power (PC on LED) Hard disk access LED ATX system control switch		
Main board power options	Supports DC input voltage +12-25VDC		

### Rear I/O plate



Sales: +44 (0) 1273 570 220 Admin: +44 (0) 1273 608 331 Fax: +44 (0) 1273 570 215 Website: [www.amplicon.com](http://www.amplicon.com) Email: [sales@amplicon.com](mailto:sales@amplicon.com)