

# Impact-E 100



## IMPACT-E

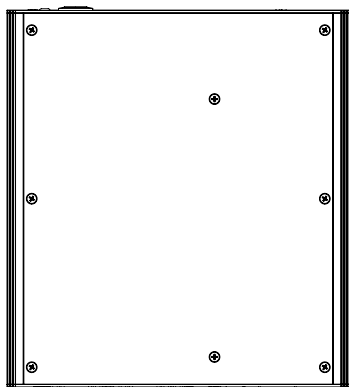
## Features

The Impact-E 100 is a compact, low power embedded system that utilises the Intel® Atom™ N2800 processor to achieve high performance with minimal power draw. With such a low power requirement this unit lends itself well to be powered by solar power or battery.

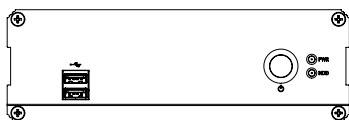
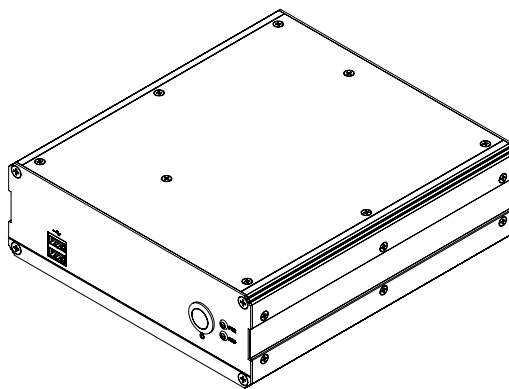
### Key Features:-

- Low power consumption
- High processing power
- Compact design
- 3 year warranty

## Dimensions



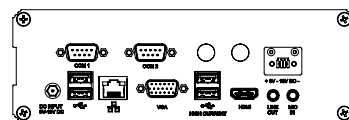
Top View



Front View



Side View



Rear View

# Impact-E 100

## Specifications

The information is believed to be accurate. However Amplicon Liveline Limited accepts no responsibility for any problems caused by errors and omissions. Specifications are subject to change without notice.

Hardware specifications	CPU: Intel® Atom™ Processor N2800 (1M Cache, 1.86 GHz) Main memory: 2GB SODIMM DDR3 1066MHz (maximum 4GB) Chipset: Intel® NM10 Express chipset LAN: Integrated Intel 10/100/1000 network connection	Electromagnetic compatibility (EMC)	EN 55022 Class A EN 55024 Electrostatic discharge immunity test (EN61000-4-2) Enclosure port ±4kV Contact, applied to enclosure port ±8kV Air, applied to enclosure port
BIOS	Intel® Fast Boot		Radiated, radio-frequency, electromagnetic field immunity test (EN61000-4-3)
Storage	1 x 2.5" 32GB Solid state drive or 1 x 2.5" SATA hard drive Total drive capacity: 2 x 2.5" SATA SSD/HDD 1 x mSATA		Enclosure port 80-1000MHz, 10 V/m (RMS, no modulation) 80% Modulation with 1kHz Sine wave
System expansion	1 x PCI Express x 1 slot (not currently available) 1 x PCI Express Mini card (half size) 1 x PCI Express Mini card (full/half size adjustable) with mSATA support 1 x Additional housing for 2.5" HDD/SSD		Electrical fast transient/burst immunity test (EN61000-4-4) Power port AC, inc. protective earth Severity ±0.5kV
System architecture	Mini ITX form factor motherboard		Surge Immunity test (EN61000-4-5) Power port DC Severity ±0.5kV applied line to earth
Supported O/S	Windows XP, Windows 7 (32 bit)		Immunity to conducted disturbances induced by radio frequency fields (EN61000-4-6)
General Interfaces	Front: 2 x USB 2.0 Type A Rear: 4 x USB ports (2 x USB 2.0, 2 x High Current) 1 x RJ45 LAN 1 x VGA 1 x HDMI 1 x Line In 1 x Mic in 2 x DB9 RS232		Power port AC, inc. protective earth via CDN M3 0.15-80MHz, 10 V/m (no modulation) 80% Modulation with 1kHz Sine wave, applied via CDN
Display	Max resolution: 1900 x 1080		Amplicon own a fully equipped EMC facility and can provide many additional tests to meet your requirements.
LED and switches	Power (PC on LED) Hard disk access LED ATX system control switch		
Main board power options	Supports DC input voltage from +8V to +19V DC		
External power adaptor (optional accessory)	Power input: 100-240VAC, 1.5A @ 50-60Hz Voltage output: +12V DC, 5A max		
Mechanical	Design: Rugged compact embedded design Cooling: Fanless design Construction: Extruded Aluminium Colour: Black Dimension: 200 x 66 x 220mm (W x H x D) Packaging: 355 x 260 x 335mm (W x H x D) Gross weight: 1.6kg		
Mounting options	Desk mount Wall mount (kit supplied as standard)		
Environmental operation	Acoustic noise: Near silent operation Operating Temperature: 0°C to 50°C Humidity: 0 to 90% non-condensing		
Environmental storage	Temperature: -20°C to 70°C Humidity : 5% to 90% @ 20°C		

Sales: +44 (0) 1273 570 220 Admin: +44 (0) 1273 608 331 Fax: +44 (0) 1273 570 215 Website: [www.amplicon.com](http://www.amplicon.com) Email: [sales@amplicon.com](mailto:sales@amplicon.com)