

Input/Output Interface

Digital Inputs	2 Max. input current: 8 mA +13 to +30 V for state 1 +3 to -30 V for state 0
Alarm Contact Channels	Relay output with current carrying capacity of 1 A @ 24 VDC
Buttons	Reset button

Physical Characteristics

Housing	Metal
IP Rating	IP30
Dimensions	52.7 x 135 x 105 mm (2.08 x 5.32 x 4.13 in)
Weight	860 g (1.9 lb)
Installation	DIN-rail mounting, Wall mounting (with optional kit)

Power Parameters

Input Current	0.6 A @ 12 VDC, 0.15 A @ 48 VDC
Input Voltage	12 to 48 VDC, Redundant dual inputs, 48 VDC Power-over-Ethernet
Power Connector	1 removable 10-contact terminal block(s)
Power Consumption	7.2 W (max.)
Reverse Polarity Protection	Supported

Environmental Limits

Operating Temperature	Standard Models: -25 to 60°C (-13 to 140°F) Wide Temp. Models: -40 to 75°C (-40 to 167°F)
Storage Temperature (package included)	-40 to 85°C (-40 to 185°F)
Ambient Relative Humidity	5 to 95% (non-condensing)

Standards and Certifications

EMC	EN 61000-6-2/-6-4
EMI	CISPR 32, FCC Part 15B Class B
EMS	IEC 61000-4-2 ESD: Contact: 8 kV; Air: 15 kV IEC 61000-4-3 RS: 80 MHz to 1 GHz: 3 V/m IEC 61000-4-4 EFT: Power: 2 kV; Signal: 2 kV IEC 61000-4-5 Surge: Power: 2 kV; Signal: 1 kV IEC 61000-4-6 CS: 3 V IEC 61000-4-8 PFMF
Hazardous Locations	ATEX, Class I Division 2, IECEx
Radio	ANATEL, EN 300 328, EN 301 489-1/17, EN 301 893, FCC ID SLE-WAPN008, MIC, NCC, RCM, SRRC, WPC, KC, RCM
Safety	EN 60950-1, UL 60950-1
Vibration	IEC 60068-2-6
MTBF	
Time	570,854 hrs
Standards	Telcordia SR332

Warranty

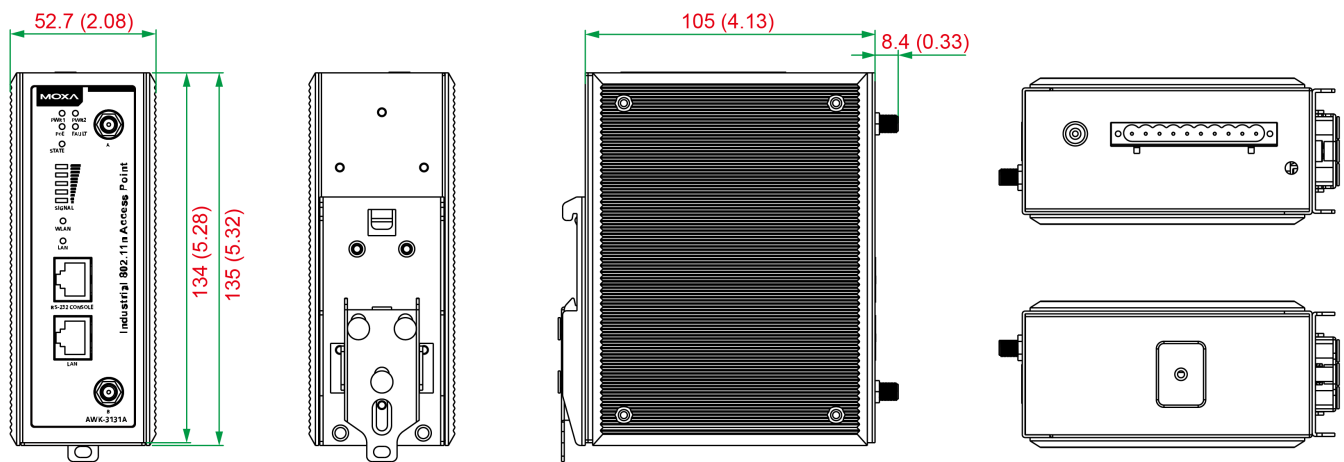
Warranty Period	5 years
Details	See www.moxa.com/warranty

Package Contents

Device	1 x AWK-3131A Series wireless AP/bridge/client
Installation Kit	2 x cap, plastic, for RJ45 port 1 x DIN-rail kit 1 x cable holder with screw
Antenna	2 x 2.4/5 GHz antenna
Documentation	1 x quick installation guide 1 x warranty card

Dimensions

Unit: mm (inch)



Front View

Rear View

Side View

Top and Bottom Views

Ordering Information

Model Name	Band	Standards	Operating Temp.
AWK-3131A-EU	EU	802.11a/b/g/n	-25 to 60°C
AWK-3131A-EU-T	EU	802.11a/b/g/n	-40 to 75°C
AWK-3131A-JP	JP	802.11a/b/g/n	-25 to 60°C
AWK-3131A-JP-T	JP	802.11a/b/g/n	-40 to 75°C
AWK-3131A-US	US	802.11a/b/g/n	-25 to 60°C
AWK-3131A-US-T	US	802.11a/b/g/n	-40 to 75°C

Accessories (sold separately)

Antennas

ANT-WDB-ANF-0407	2.4/5 GHz, omni-directional antenna, 4/7 dBi, N-type (male)
ANT-WDB-ANF-0609	2.4/5 GHz, omni-directional antenna, 6/9 dBi, N-type (female)
ANT-WDB-ANM-0306	2.4/5 GHz, omni-directional antenna, 3/6 dBi, N-type (male)
ANT-WDB-ANM-0407	2.4/5 GHz, dual-band omni-directional antenna, 4/7 dBi, N-type (male)

ANT-WDB-ANM-0502	2.4/5 GHz, omni-directional antenna, 5/2 dBi, N-type (male)
ANT-WDB-ANM-0609	2.4/5 GHz, omni-directional antenna, 6/9 dBi, N-type (male)
ANT-WDB-ARM-02	2.4/5 GHz, omni-directional rubber duck antenna, 2 dBi, RP-SMA (male)
ANT-WDB-ARM-0202	2.4/5 GHz, panel antenna, 2/2 dBi, RP-SMA (male)
ANT-WDB-PNF-1518	2.4/5 GHz, panel antenna, 15/18 dBi, N-type (female)
MAT-WDB-CA-RM-2-0205	2.4/5 GHz, ceiling antenna, 2/5 dBi, MIMO 2x2, RP-SMA-type (male)
MAT-WDB-DA-RM-2-0203-1m	2.4/5 GHz, desktop antenna, 2/3 dBi, MIMO 2x2, RP-SMA-type (male), 1 m cable
MAT-WDB-PA-NF-2-0708	2.4/5 GHz, panel antenna, 7/8 dBi, MIMO 2x2, N-type (female)
ANT-WSB5-ANF-12	5 GHz, omni-directional antenna, 12 dBi, N-type (female)
ANT-WSB5-PNF-18	5 GHz, directional panel antenna, 18 dBi, N-type (female)
ANT-WSB-ANF-09	2.4 GHz, omni-directional antenna, 9 dBi, N-type (female)
ANT-WSB-PNF-12	2.4 GHz, directional panel antenna, 12dBi, N-type (female)
ANT-WSB-PNF-18	2.4 GHz, directional panel antenna, 18 dBi, N-type (female)
ANT-WSB-AHRM-05-1.5m	2.4 GHz, omni-directional/dipole antenna, 5 dBi, RP-SMA (male), 1.5 m cable

Wireless Antenna Cables

A-CRF-RFRM-R4-150	RF magnetic stand, RP-SMA (male) to RP-SMA (female), RG-174/U cable, 1.5 m
A-CRF-RFRM-S2-60	SS402 cable, RP-SMA (male) to RP-SMA (female)
A-CRF-RMNM-L1-600	N-type (male) to RP SMA (male), LMR-195 Lite cable, 6 m
A-CRF-RMNM-L1-900	N-type (male) to RP SMA (male), LMR-195 Lite cable, 9 m
A-CRF-RMNM-L1-300	N-type (male) to RP SMA (male), LMR-195 Lite cable, 3 m
CRF-N0117SA-3M	N-type (male) to RP SMA (male), CFD200 cable, 3 m

Surge Arrestors

A-SA-NMNF-01	Surge arrester, N-type (female) to N-type (male)
A-SA-NFNF-01	Surge arrester, N-type (female) to N-type (female)

Wireless Terminating Resistors

A-TRM-50-NM	Terminating Resistor, 50 ohm, RP-SMA Male
-------------	---

Wireless Adapters

A-ADP-RJ458P-DB9F-ABC01	DB9 female to RJ45 connector for the ABC-01
-------------------------	---

Wall-Mounting Kits

WK-51-01	Wall-mounting kit, 2 plates, 6 screws, 51.6 x 67 x 2 mm
----------	---