

B24-P for Process signals



Large format meter with 4 digits and 60 mm digit height, for reading up to 25 meters for industrial applications. To measure process signals in mA and Vdc. Versatile and configurable instrument. Provides excitation voltage to power-up the sensor. Front keypad for easy access to the configuration menu and connection for remote keypad. Two universal high and low power supply options for AC and DC. Optional output and control modules for relay output, transistor output, SSR control, analog output retransmission and communications for Modbus RTU and RS-485 ASCII protocols. Sturdy metallic housing with full IP65 protection, for panel mount, wall mount or hanging mount.



Front view

Technical specifications

Reading	
Digits	4
Reading	9999 / -1999
Decimal point	configurable
Led color	red or green
Digit height	60 mm
Type of digit	7 segment
Angle of vision	120°
Input signal	
Signal ranges	4/20 mA, 0/10 Vdc, ±20 mA, ±10 Vdc, ...
Excitation voltage	+20 Vdc, +15 Vdc, +10 Vdc, +5 Vdc (max. 35 mA)
Accuracy	0.05% F.S. ±1 digit
Offset drift	10 ppm/°C
Span drift*	25 ppm/°C
	<i>*span drift value includes offset drift</i>
Readings	15 readings / second
Refresh	15 refresh / second
Response time	<120 mSec. (0 % to 99 % signal)
Input impedance	11 Ohm in mA, 932 KOhm in Vdc
Signal wire diameter	max. 0.5 mm ²
Outputs and configuration	
Output and control options	relays, analog output, serial communications, ...
Configuration	3 button front keypad (connection for remote keypad)
Power	
Power 'H'	85 to 265 Vac and 120 to 370 Vdc (isolated 2500 Vac)
Power 'L'	11 to 36 Vdc (isolated 1500 Vdc)
Consumption	<3.0 W (meter only)
	<5.0 W (meter with options)
Power wire diameter	max. 2.5 mm ²
Mechanical	
Housing	metallic (textured black painted iron)
Front filter	methacrylate
IP protection	full IP65 housing
Connections	cable gland output internal plug-in screw terminals
Weight	<2200 grams
Mounting	panel, wall, hanging
Front size	340 x 135 mm
Panel cut-out	322 x 117 mm
Deep	80 mm (including terminals)
Operating temperature	0 to 50 °C
Storage temperature	-20 to 70 °C

Order reference

Format	Model	Power	Color	Option 1	Option 2	Option 3	Custom
B24	P	H	R				
		-H (85-265 Vac and 120-370Vdc) -L (11-36 Vdc)	-R (red led) -G (green led)	-R1 (1 relay output) -AO (analog output) -RTU (Modbus RTU) -S4 (RS-485) -S2 (RS-232) -T1 (1 transistor output) -SSR (1 SSR control output) -0 (empty)			

* Option 3 available with formats B26 and B46



Rear view

45 YEARS 1969-2014	Q ISO 9001 Certified Quality	CE EN-61010-1 Security	CE EN-61326-1 Electromagnetic C.	5 YEARS Extended Warranty
---------------------------------	---	-------------------------------------	---	--

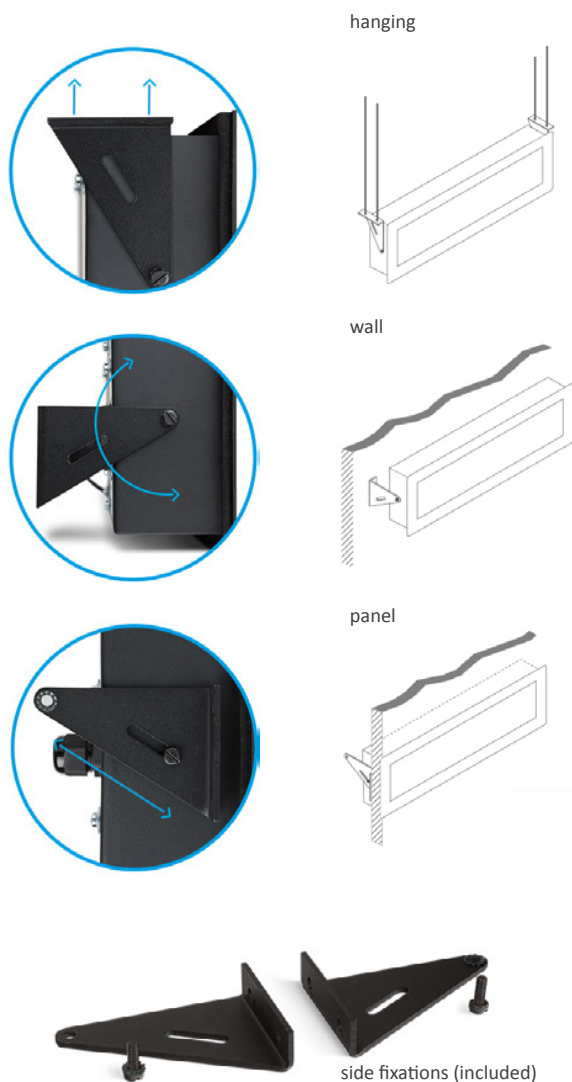
Output and control options

Format	Model	Power	Color	Option 1	Option 2	Option 3	Custom
B24	P	H	R				

	Function	Installable options	Isolation
R1	1 relay output	2	yes
T1	1 transistor output	2	yes
SSR	1 control for SSR relay	2	yes
AO	1 analog output	2	yes
RTU	1 Modbus RTU port	2	yes
S4	1 RS-485 port	2	yes
S2	1 RS-232 port	2	yes

Option 3 available with formats B26 and B46

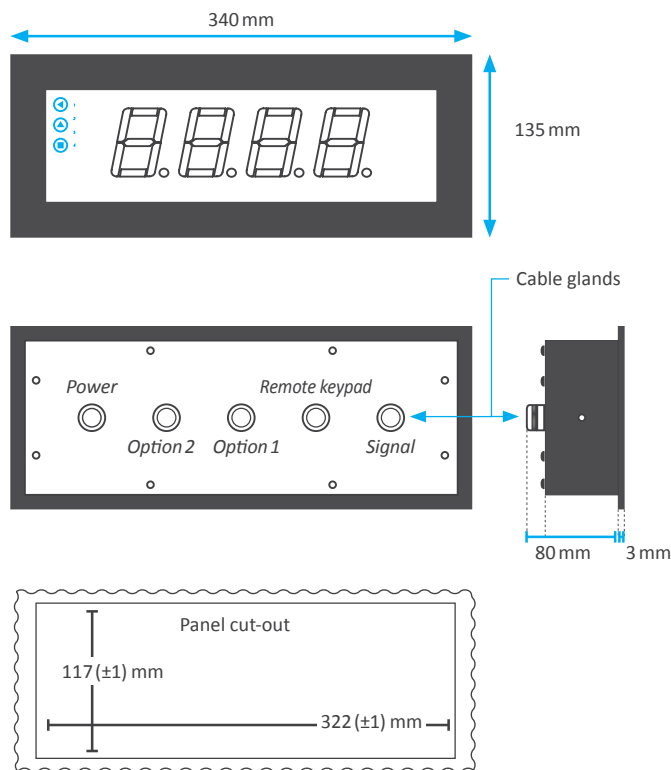
Mounting options



Functions included

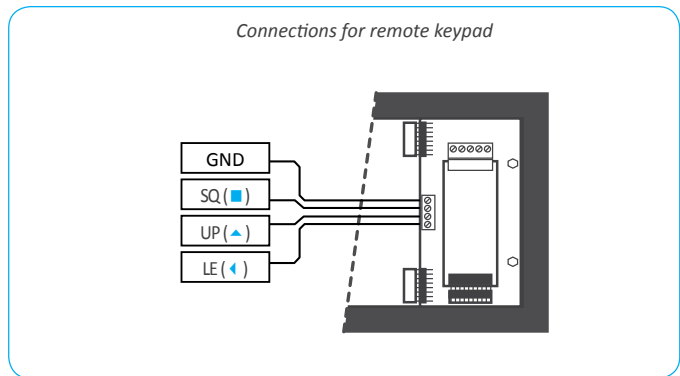
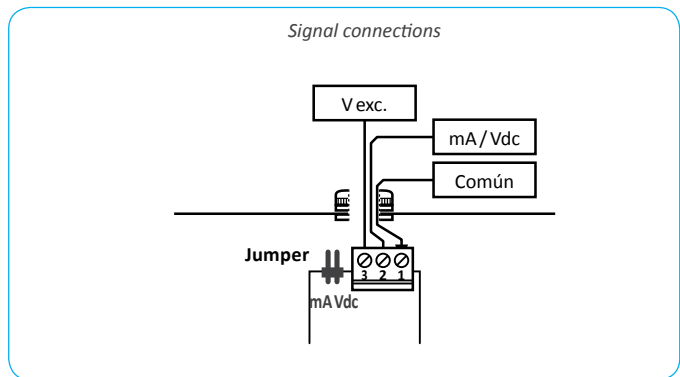
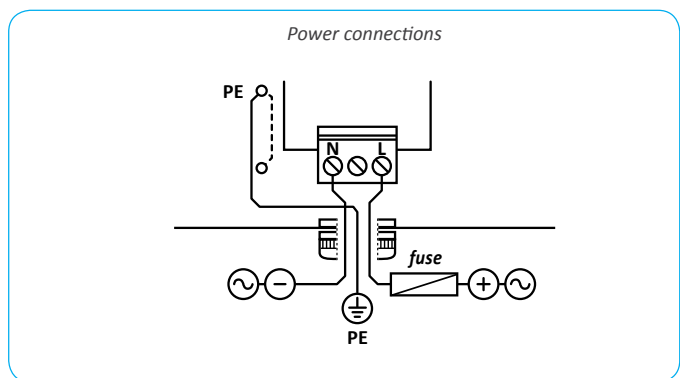
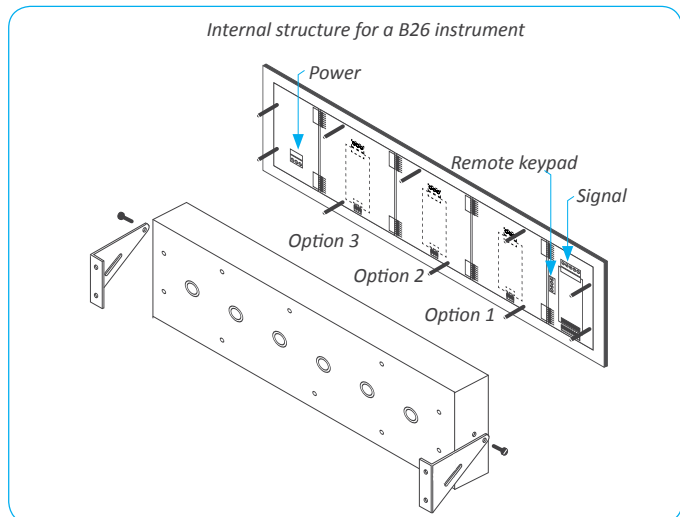
- 'Fast access' menu a single press on the front keypad gives access to alarm setpoint modification, memories, ...
- Segment linearization up to 20 segments for linearization of signals from irregular shaped volumes, tanker ships, ...
- Display filters recursive filters for noisy signals, optional reading in predefined steps, configurable fixed digits, ...
- 'On power-up' function protects systems at cold start-up.
- Alarms with one or two setpoints, independent activation and deactivation delays, hysteresis, optional manual deactivation of the relay.
- Inverted relay for security applications
- 'Field correction' function for fast and easy offset corrections when installing on the field.
- 'Measure' function for troubleshooting purposes, it displays the actual signal at input terminals, directly in mA or Vdc, without scaling.
- 'Tare' function for weight applications.
- 'Peak & hold' function for test-break applications.
- Brightness 5 levels of brightness intensity.
- Memory maximum, minimum
- Password blocks access to configuration menu.

Dimensions



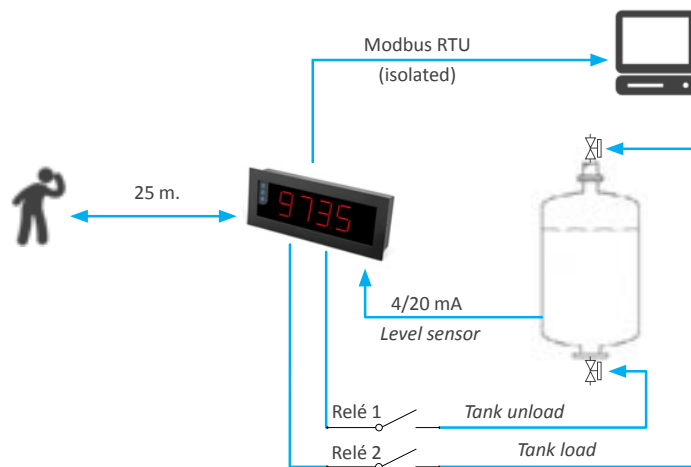
45 YEARS 1969-2014	Q ISO 9001 Certified Quality	CE EN-61010-1 Security	CE EN-61326-1 Electromagnetic C.	5 YEARS Extended Warranty
---------------------------------	---	-------------------------------------	---	--

Connections



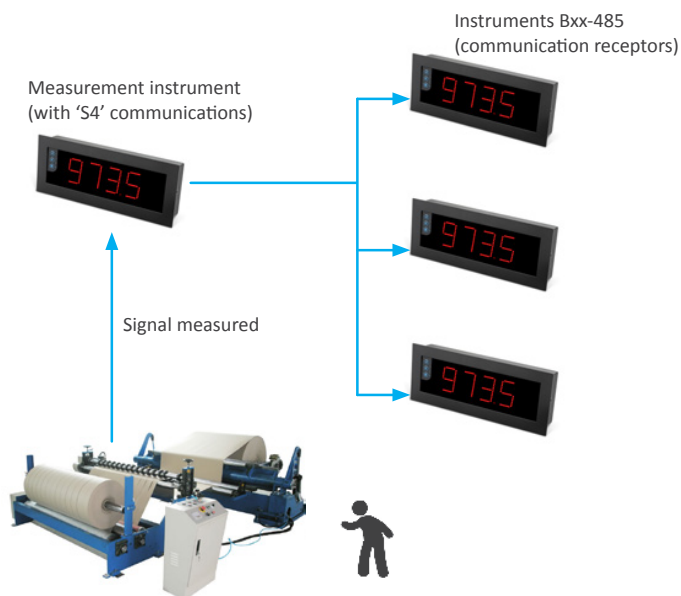
Example of application with control

Reading of the liquid level within a tank with irregular shape. Signal is taken from a pressure probe. Instrument provides two relay outputs to control the liquid load and unload electrovalves of the tank. Additionally, the measured values are retransmitted to a remote data storage center (SCADA or PLC) via Modbus RTU.



One measure, multiple information points

The large format meters from Series B can measure a wide variety of signals, and can integrate multiple output and control options. Option 'S4' for communications can be configured to transmit the measure directly to remote information points.



45 YEARS 1969-2014	Q ISO 9001 Certified Quality	CE EN-61010-1 Security	CE EN-61326-1 Electromagnetic C.	5 YEARS Extended Warranty
---------------------------------	---	-------------------------------------	---	--

Other options

Red color

JPG

Red leds

Green color

JPG

Green leds

White color

JPG

White leds


Cable output

JPG

Preinstalled cable, 2 meters

Accessories

RKB



Remote keypad

IPB24

JPG

IP65 protection for the B24 panel junction

IPB26

JPG

IP65 protection for the B26 panel junction

IPB44

JPG

IP65 protection for the B44 panel junction

IPB46

JPG

IP65 protection for the B46 panel junction

Others formats within the Series B



	Digit height	Digits	Reading distance
Format B24	60 mm	4	up to 25 meters
Format B26	60 mm	6	up to 25 meters
Format B44	100 mm	4	up to 50 meters
Format B46	100 mm	6	up to 50 meters

Other process meters

Series M

4, 5 and 6 digits

digit height 14 mm
 color red, green
 vision 5 meters
 size 96 x 48 mm

DIGITAL PANEL METER
SERIES M
 Full Signal Ranges Available



45 YEARS

Series K

Further view

digit height 20 mm
 color red
 vision 8 meters
 size 96 x 48 mm

DIGITAL PANEL METERS
SERIES K
 20 mm Digit Size



45 YEARS

Series S

Compact size

digit height 14 mm
 color red, green
 vision 5 meters
 size 72 x 36 mm

DIGITAL PANEL METERS
SERIES S
 Compact Size 72x36 mm



45 YEARS

45 YEARS 1969-2014	Q ISO 9001 Certified Quality	CE EN-61010-1 Security	CE EN-61326-1 Electromagnetic C.	5 YEARS Extended Warranty
---------------------------------	---	-------------------------------------	---	--